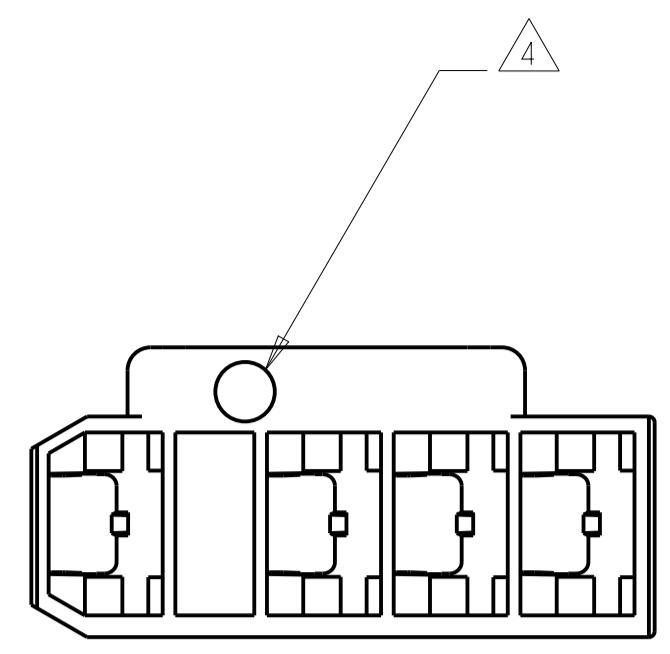
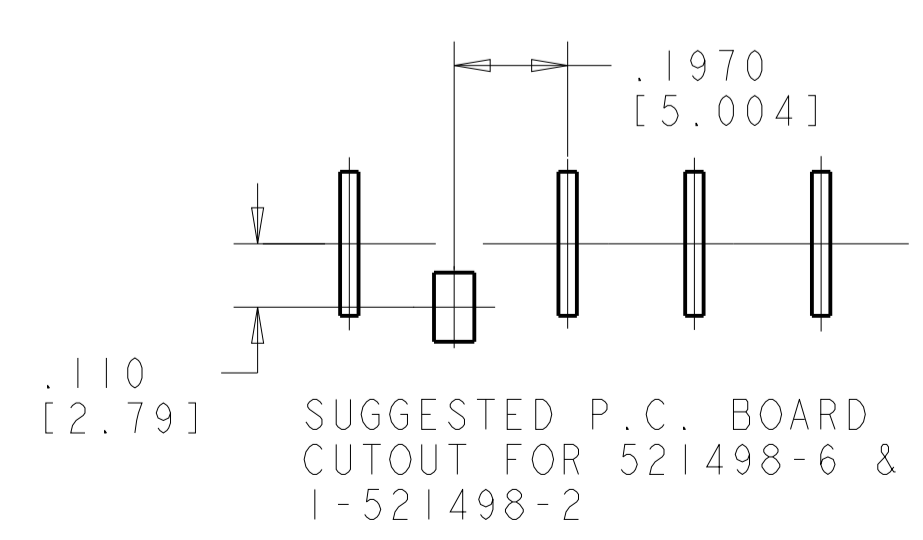
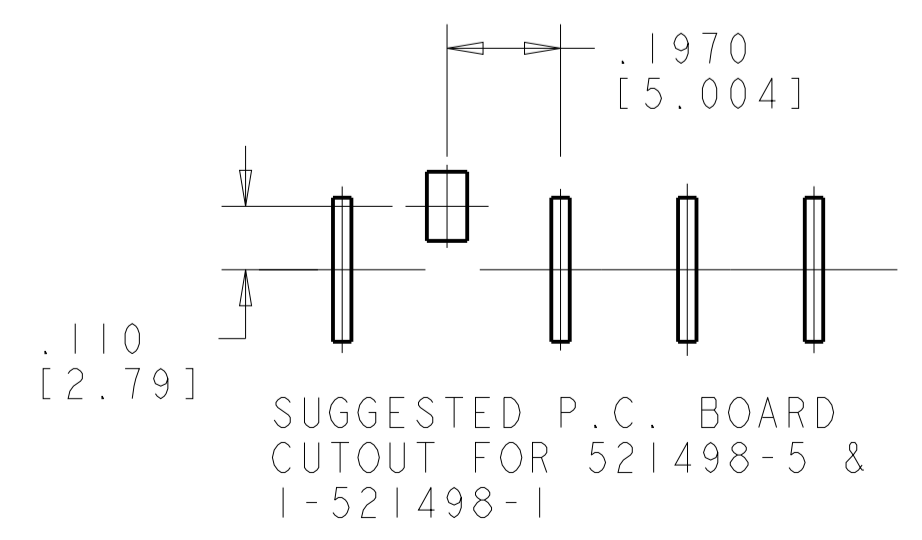
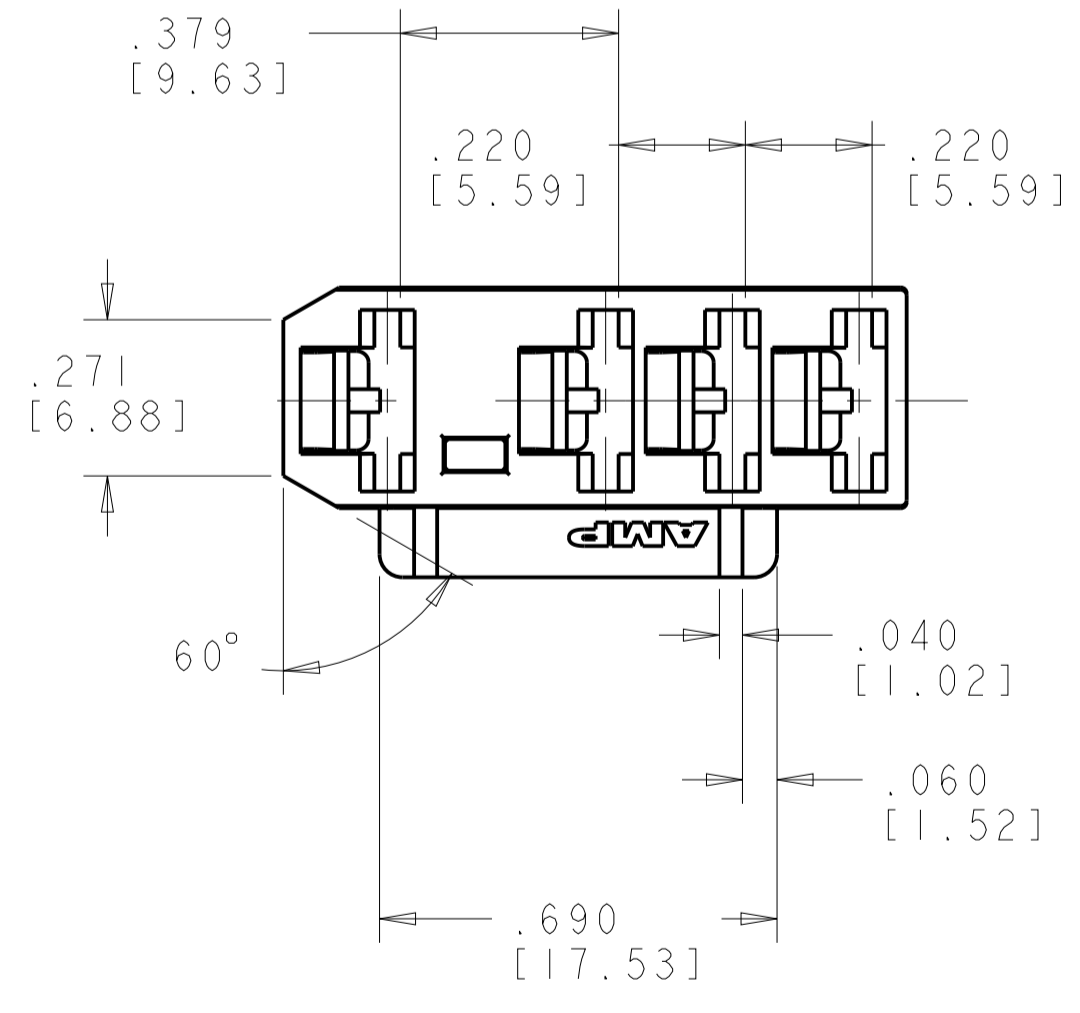
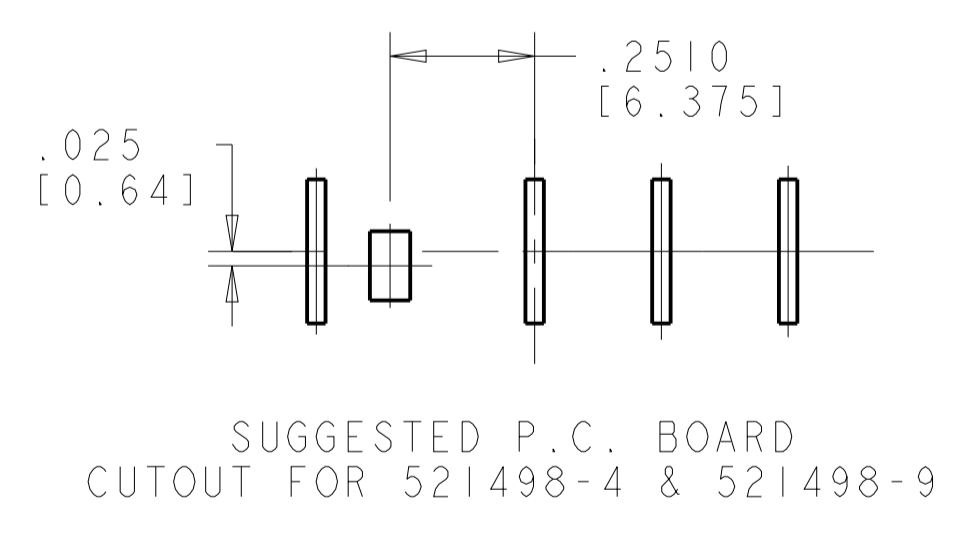
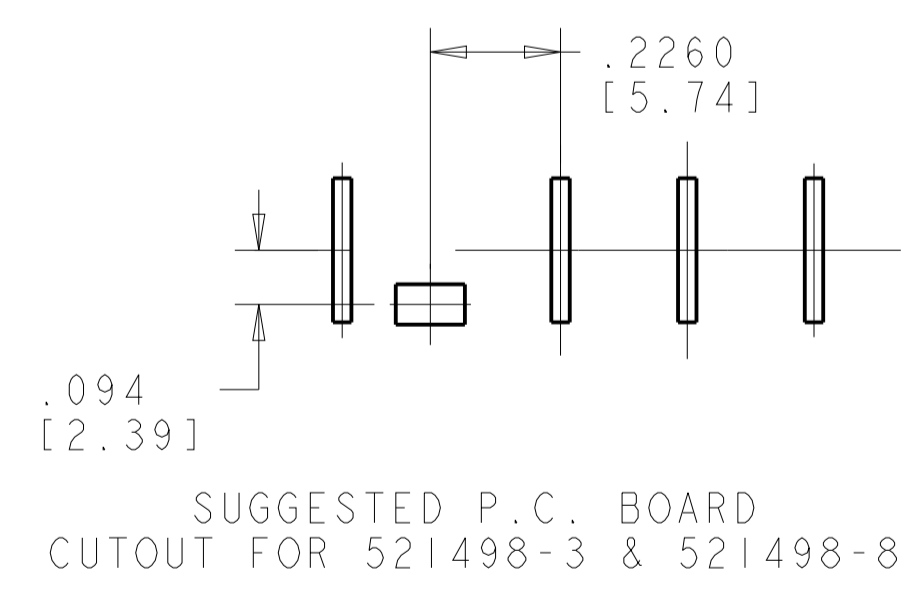
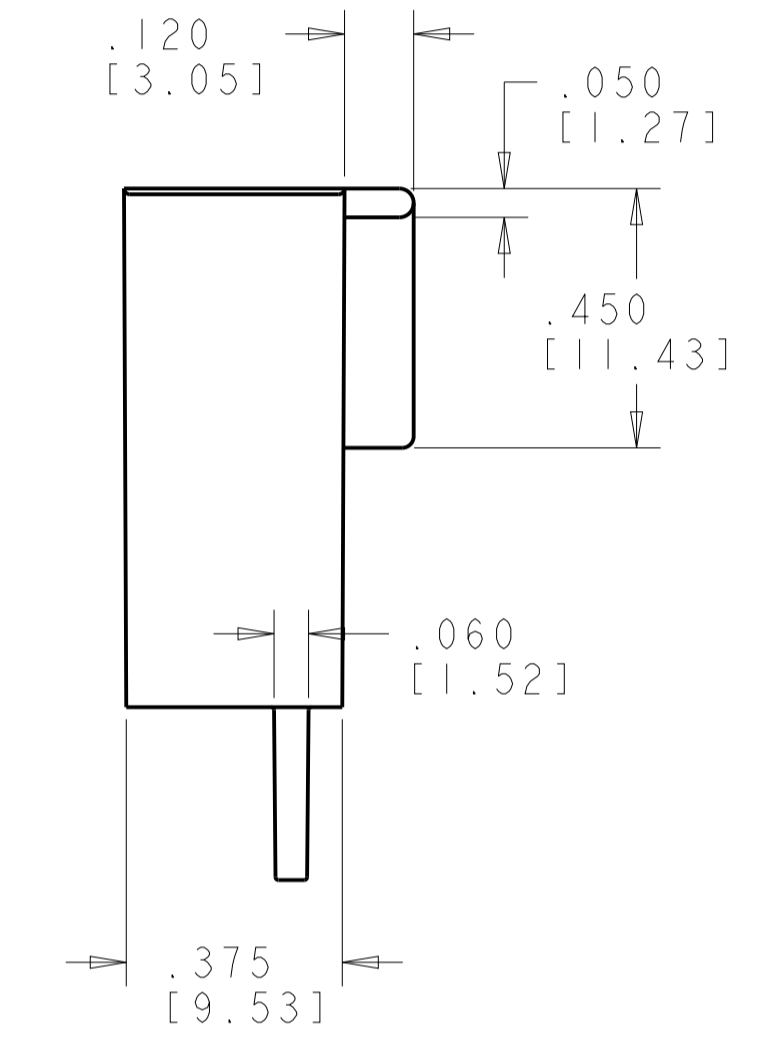
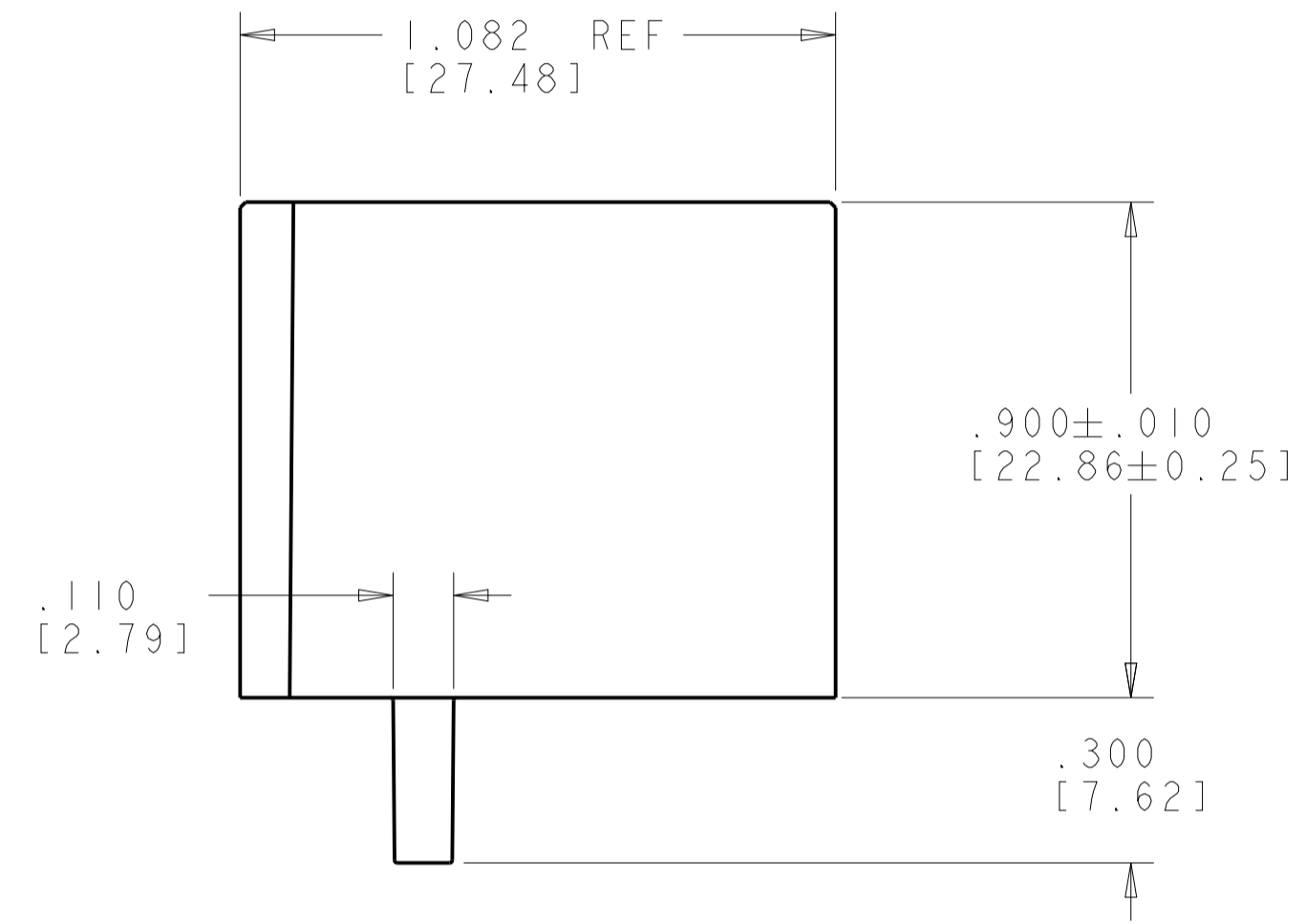
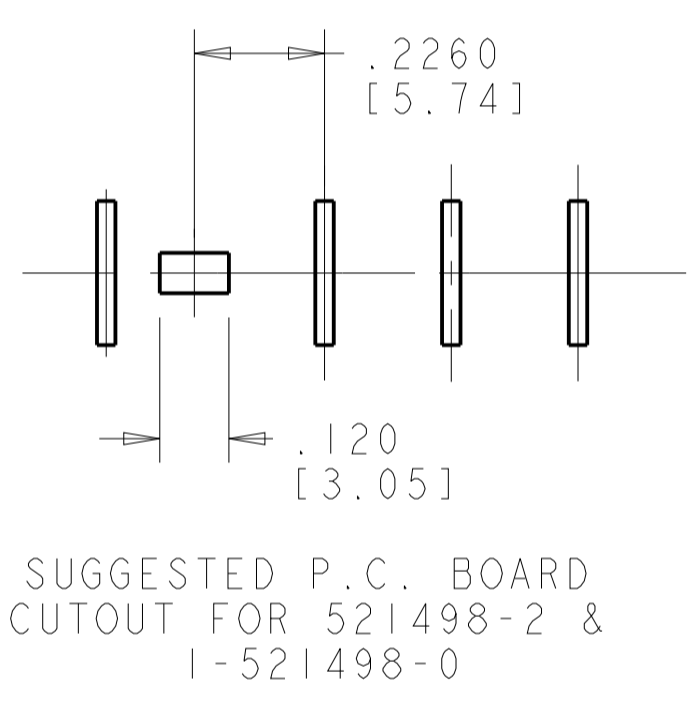
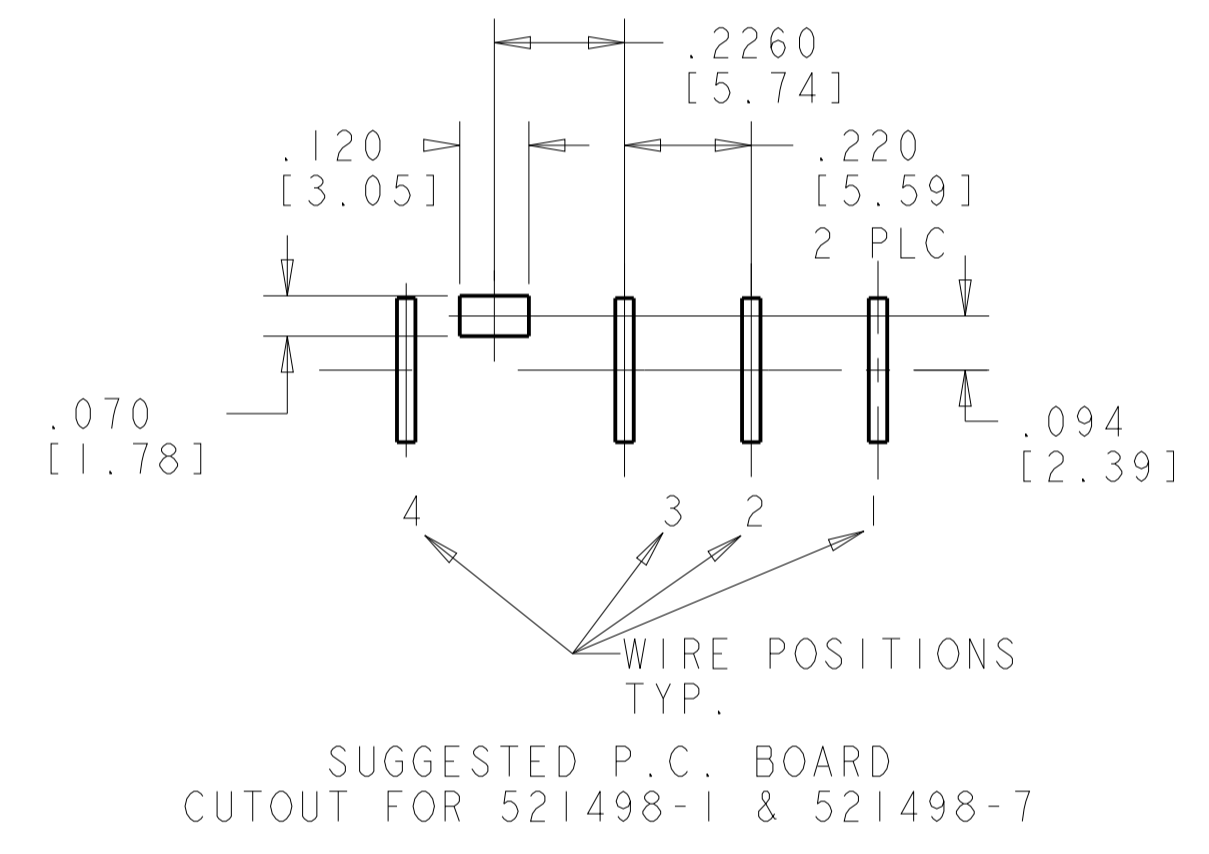


LOC		DIST		REVISIONS			
P	LTN	DESCRIPTION	DATE	DMN	APVD		
M10		REVISED PER ECR-09-027342	18DEC2009	HMR	PD		
M11		REVISED PER ECO-14-015023	08OCT2014	MD	DL		



- FOR USE WITH TYCO ELECTRONICS 250 SERIES LOW INSERTION RECEPTACLES
- ALL SUGGESTED P.C. BOARD CUTOUTS ARE SHOWN FROM THE COMPONENT SIDE.
- V-O LETTERS THIS LOCATION FOR -7 THRU -12 PARTS ONLY.
- BLUE COLOR MAY APPEAR GRAY
- 521498-7: BLUE PARTS MAY APPEAR MEDIUM BLUE TO LIGHT BLUE TO LIGHT GRAY IN COLOR AND MAY ALSO EXHIBIT A MARBLING EFFECT.
- 521498-8: YELLOW PARTS MAY APPEAR LIGHT YELLOW TO LIGHT BEIGE IN COLOR AND MAY ALSO EXHIBIT A MARBLING EFFECT.
- 1-521498-0: GREEN PARTS MAY APPEAR MEDIUM GREEN TO VERY LIGHT GREEN (MINT) IN COLOR AND MAY ALSO EXHIBIT A MARBLING EFFECT.
- 1-521498-2: RED PARTS MAY APPEAR DARK PINK, MEDIUM PINK, OR LIGHT PINK IN COLOR AND MAY ALSO EXHIBIT A MARBLING EFFECT.



COLOR	MATERIAL	PART NUMBER
RED	NYLON, V-0	1-521498-2
WHITE	NYLON, V-0	1-521498-1
GREEN	NYLON, V-0	1-521498-0
BLACK	NYLON, V-0	521498-9
YELLOW	NYLON, V-0	521498-8
BLUE	NYLON, V-0	521498-7
RED	NYLON, V-2	521498-6
WHITE	NYLON, V-2	521498-5
BLACK	NYLON, V-2	521498-4
YELLOW	NYLON, V-2	521498-3
GREEN	NYLON, V-2	521498-2
BLUE	NYLON, V-2	521498-1

<small>THIS DRAWING IS UNPUBLISHED. RELEASED FOR PUBLICATION. COPYRIGHT 20 BY TYCO ELECTRONICS CORPORATION. ALL RIGHTS RESERVED.</small>		DMN: R FLAIG 01OCT2002 CHK: P DESANTIS 01OCT2002 APVD: P DESANTIS 01OCT2002	Tyco Electronics Harrisburg, PA 17105-3608
DIMENSIONS: INCHES(mm)	TOLERANCES UNLESS OTHERWISE SPECIFIED: 0 PLC ±. 1 PLC ±. 2 PLC ±. 3 PLC ±.005(0.13) 4 PLC ±. ANGLES ±.1°	PRODUCT SPEC: APPLICATION SPEC: WEIGHT:	NAME: HOUSING, RECEPTACLE FASTON, .250 [6.35] SERIES SIZE: CAGE CODE DRAWING NO: A100779C=521498 RESTRICTED TO:
MATERIAL: FINISH:		CUSTOMER DRAWING: SCALE: 3:1 SHEET 1 OF 1	REVISION: M11